



TRT5(-D)

Temperature transmitters

Room transmitters for measuring temperature in indoor environments.

Transmitters intended for wall mounting in HVAC systems.

The sensor is mounted in the cover-part of the casing. The cover is easy to detach from the back by means of snap-in grips and detachable terminals. This makes mounting easier. Furthermore, no cables have to be disconnected, simplifying service and replacement.

Supply voltage

The transmitter uses a supply voltage of 24 V AC $\pm 10\%$ or 15...35 V DC. It automatically detects and adapts to the supply voltage connected.

Temperature sensor

The unit has a built-in temperature sensor, working range 0...50°C.

Short facts about TRT5(-D)

- Analogue output signal, 0...10 V
- Temperature, 0...50°C
- Good long-term stability

Models

Model	Description
TRT5	Temperature transmitter
TRT5-D	Temperature transmitter with display

Technical data

Output signal	Analogue
Supply voltage (U_v)	24 V AC $\pm 10\%$ / 15...35 V DC
Power consumption	< 1 W
Transformer power	2 VA
Electrical connection	Screw terminals max. 1.5 mm ² (AWG 16)
Ambient temperature	0...50°C
Ambient humidity	10...90 % RH non-condensing
Storage temperature	-25...+60°C
Protection class	IP30
Dimensions (WxHxD)	85 x 100 x 30.5 mm
Colour	Signal white RAL 9003

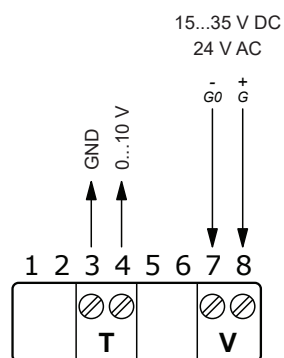
Temperature

Analogue output 0...50°C	0...10 V, $I_L \leq 1$ mA
Working range	0...50°C
Accuracy at 20°C	$\pm 0.4^\circ\text{C}$

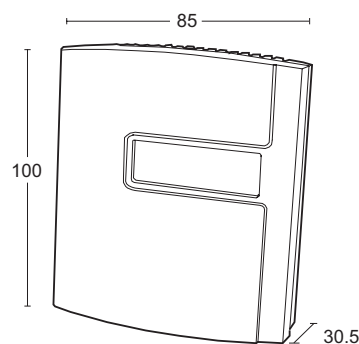


This product carries the CE mark. For more information, see www.regincontrols.com.

Wiring and dimensions



GND and G0 are internally connected.



(Measurements in mm.)

Product documentation

The document can be downloaded from www.regincontrols.com.

Head office Sweden

Phone: +46 31 720 02 00

Web: www.regincontrols.com

Mail: info@regin.se