



TDT200(-420)

Temperature transmitter

TDT200(-420) is a range of high quality temperature transmitters for duct mounting.

- ✓ Excellent long-term stability
- ✓ Accuracy +/- 0.5°C at 20°C
- ✓ Output signal 0...10 V DC or 4...20 mA
- ✓ Supply voltage 24 V AC or 15...35 V DC
- ✓ Protection class IP65

Function

The transmitters are constructed around a temperature element providing a signal proportional to the temperature. The built-in electronics convert the measurement signal to an output signal 0...10 V DC or 4...20 mA.

Supply voltage

The transmitters can be powered either with 24 V AC or 15...35 V DC (0...10 V models), or 20...35 V DC (4...20 mA models). The transmitters will automatically adapt to the supply voltage.

Models

Model	Supply voltage	Unit range	Output signal	Measurement method	Mounting
TDT200	24 V AC \pm 20 % or 15...35 V DC	0...50°C	0...10 V DC	3-wire	Duct mounting
TDT200-420	20...35 V DC	0...50°C	4...20 mA	2-wire	Duct mounting

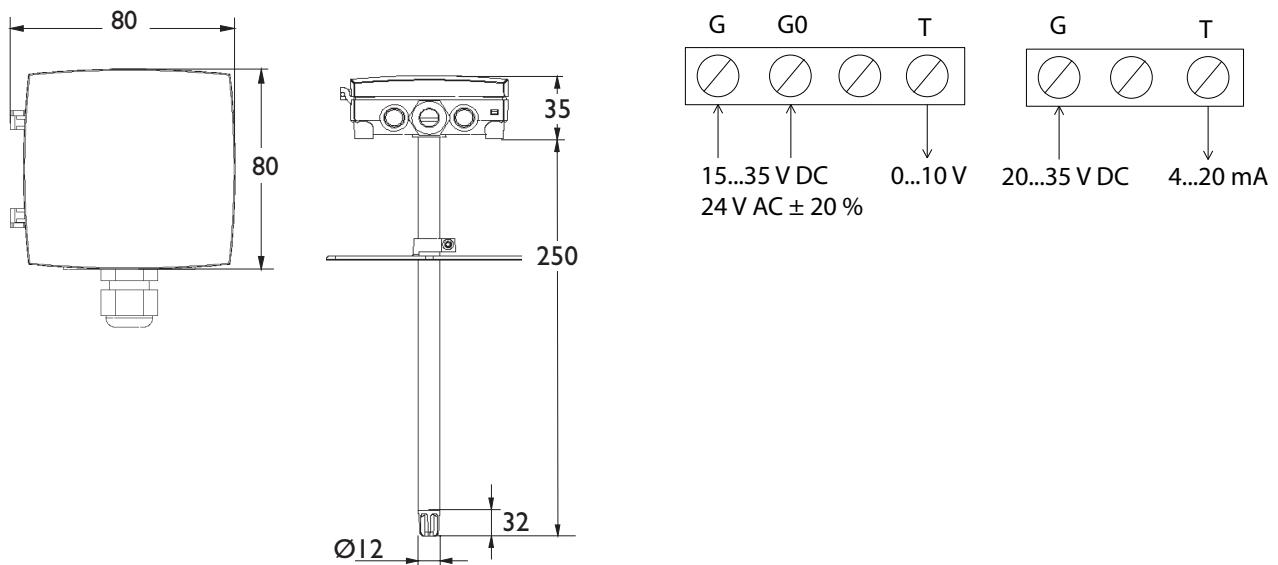
Technical data

Supply voltage	24 V AC \pm 20 % or 15...35 V DC (0...10 V output signal), alt. 20...35 V DC (4...20 mA output signal)
Output signal TDT200 TDT200-420	0...10 V DC proportionell to measuring range 0...+50°C 4...20 mA
Load impedance TDT200 TDT200-420	Min. 10 k Ω Max. 500 Ω
Ambient temperature	-5...+50°C
Storage temperature	-20...+70°C
Measurement accuracy	\pm 0.5°C at 20°C
Cable connection	Terminal blocks, max. 1,5 mm
Sensor type	KF6645 class DIN B, IEC 751
Protection class	IP65
Weight	0.25 kg

CE

This product carries the CE mark. More information is available at www.regincontrols.com

Dimensions and wiring



Measurements in mm unless otherwise specified.

Product documentation

The product documentation can be downloaded from www.regincontrols.com