



FL1TP

Electronic power controller

Electronic one-stage power controller for wallbox mounting, intended for underfloor heating.

- For proportional control of electric underfloor heating
- Setpoint 1..10 corresponding to 10...100%
- Time proportional control

FL1TP is an electronic power controller for mounting in a standard wallbox (cc 60 mm). It has step-less manual output and does not need to be connected to an external sensor. The controller works with time proportional control of the built-in relay.

Switch

Floorigo FL1TP has a two-pole switch on the front to switch the load.

Setpoint

The setpoint is set by means of the knob on the front. Setpoint limitation can also be achieved mechanically by means of limitation discs behind the setpoint knob.

- No sensor needed
- Load up to 13 A 230 V AC
- Two-pole switch

Indication

FL1TP has LED indication when the relay output is activated.

Frame

FL1TP should be mounted in an Elko frame. A frame is included on delivery.

Applications

FL1TP is well-suited for controlling underfloor heating.

Technical data

Supply voltage	230 V AC $\pm 10\%$, 50...60 Hz
Connection	Screw terminal
Cycle time	30 min
Protection class	IP20
Ambient temperature	0...50°C
Ambient humidity	Max. 90% RH



This product conforms with the requirements of European EMC standards CENELEC EN 61000-6-1 and EN 61000-6-3, European LVD standard IEC 60 730-2-9 and carries the CE mark.

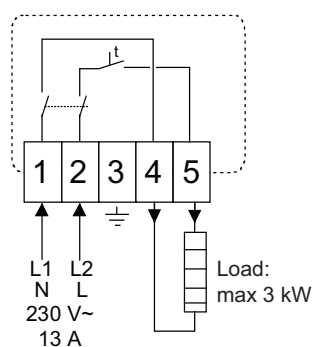
Outputs

Output load Max 13 A, 3 kW, 1-phase (or 2-phase 230 V)

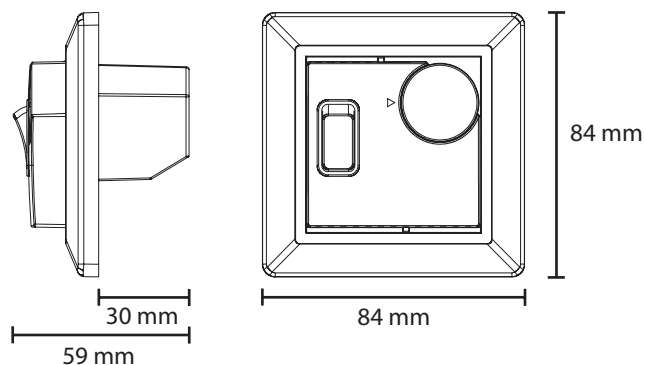
Settings

Setpoint 1...10 corresponding to 10...100% output
Main switch On/Off, two-pole

Wiring



Dimensions



Head Office Sweden

Phone: +46 31 720 02 00
Web: www.regin.se
Mail: info@regin.se

Sales Offices

France: +33 1 41 71 00 34
Germany: +49 30 77 99 40
Spain: +34 91 473 27 65
Hong Kong: +852 24 07 02 81
Singapore: +65 67 47 82 33

THE CHALLENGER IN BUILDING AUTOMATION