

DTB...

Differential pressure transmitter for air and non-corrosive gases



Compact differential pressure transmitter with automated zero-point adjustment and display

- ✓ 0...10 V / 4...20 mA output signal
- ✓ LED display
- ✓ Different pressure ranges
- ✓ Protection class IP54

Application

The differential pressure transmitter is used in building automation to monitor pressure in air and other non-corrosive gases. Three different models are available for an optimal adaptation to the application. All models are equipped with a LED display which makes it easy to read out the pressure value.

Function

The transmitter regularly performs automatic zero-point adjustment, which means that no manual calibration is needed. This reduces monitoring and maintenance efforts. The differential pressure transmitter is stable and accurate over time.

Jumpers are available for changing the output signal and its response time as well as selecting the pressure range (on models where this is possible).

Installation

The unit can be mounted in any position as the automatic calibration eliminates any position error.

Technical data

Supply voltage	24 V AC/DC (18...30 V AC/DC)
Output signal	0...10 V / 4...20 mA
Display	Yes
Display type	LED, 4 digits
Sensor element, pressure	Piezo-resistive pressure sensor
Accuracy, pressure	±1 % full scale, min. ±1 Pa
Power consumption	< 6 W
Load impedance, 4...20 mA	20...500 Ω
Load impedance, 0...10 V	≥ 1 kΩ
Protection class	IP54
Ambient humidity	0...95 % RH (non-condensing)
Ambient temperature	-10...+50 °C
Response time	100 ms / 1 s
Storage temperature	-10...+50 °C
Media	Air and non-corrosive gases
Zero-point adjustment	Automatic
Cable connection	Screw terminals max. 1.5 mm ²
Cable gland	M16
Pressure connection	Connection pipes for 6 mm tube
Mounting	Wall
Accessories, included	Two pressure outlets (cut 60°) and 2 m plastic tube. Art. no.: ANS-1
Dimensions, external (WxHxD)	85 x 85 x 58 mm
Weight (incl. packaging)	0.18 kg



This product carries the CE-mark. More information is available at www.regincontrols.com.

Material

Material, housing	ABS
--------------------------	-----

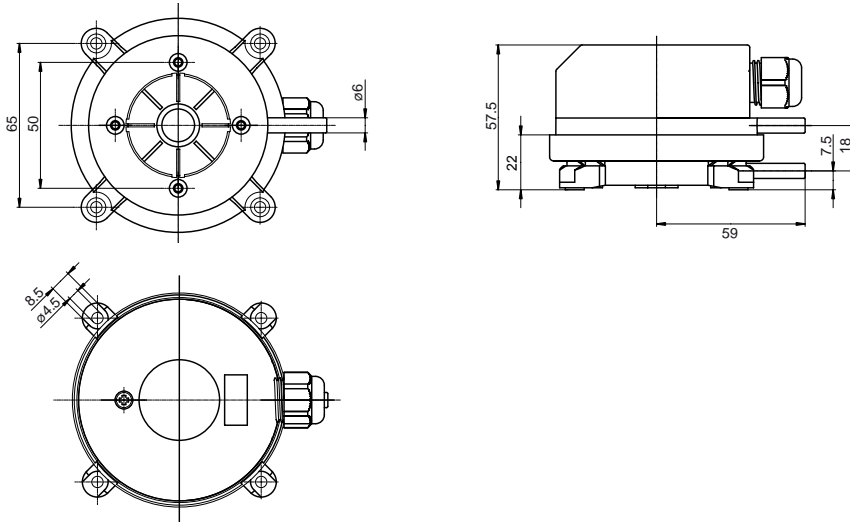
Models

Article	Measuring range, pressure	Max. overload pressure
DTB5/5	-50...+50 Pa	60 kPa
DTB125	0...100 Pa / 0...250 Pa	60 kPa
DTB510	0...500 Pa / 0...1000 Pa	75 kPa

Accessories

Article	Description
ANS-1	2 m plastic tube and two pressure outlets (cut 60°)
DBZ-14A	Set with mounting bracket and screws (S-shaped)
DBZ-14B	Set with mounting bracket and screws (L-shaped)

Dimensions



[mm]

Wiring

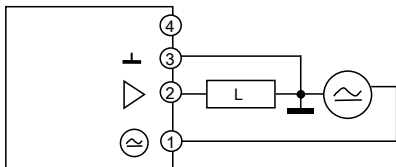


Fig. 1 Terminal assignments (L= Load)

Terminal	Description
4	Not used
3	Ground GND
2	Output signal
1	Supply voltage

Documentation

All documentation can be downloaded from www.regincontrols.com.