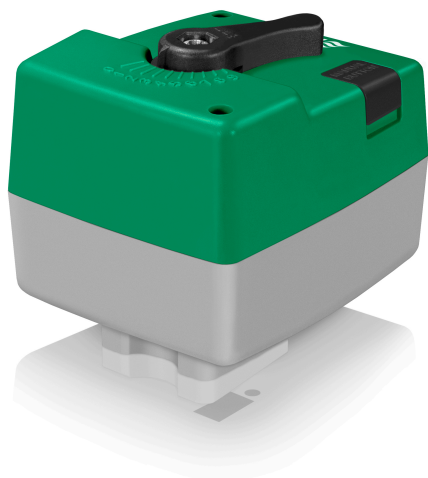


RVAB4/RVAB5

Quarter turn ball valve actuator



Quarter turn ball valve actuator mainly to be used with Regin ball valves BV2 and BV3.

- ✓ Protection class IP54
- ✓ Torque and speed 4 Nm (45s) and 5 Nm (50s)
- ✓ 24 V AC / 230 V AC
- ✓ Quarter turn, 90°
- ✓ Easy to mount on valve with just one screw
- ✓ Manual operation
- ✓ Position indication

Application

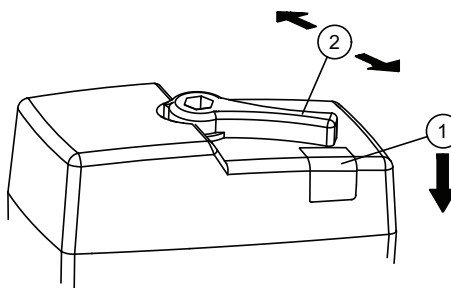
Ball valve actuator with bi-directional motor mainly used in central air conditioning systems, heating systems, water treatment and production industry to control the flow of cold/hot media.

Function

The RVAB4 actuators are used with BV2/BV3 valves DN15...DN25 and the RVAB5 actuators are used with BV2/BV3 valves DN32...DN50.

Manual override

The valve position can be changed manually by turning the lever while pressing the button on the actuator lid.



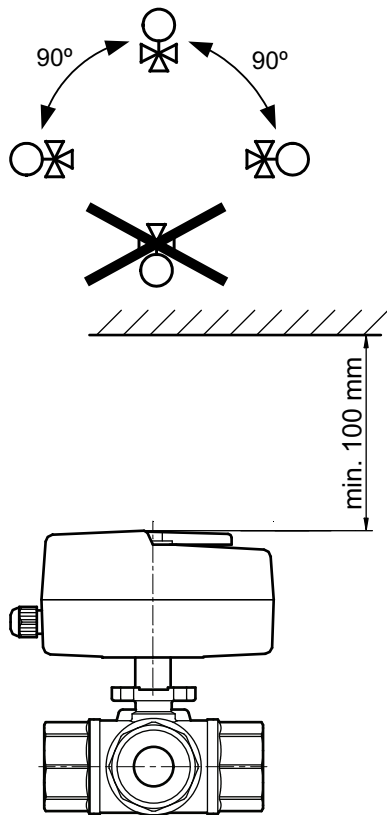
HEAD OFFICE SWEDEN

Phone: +46 31 720 02 00
 Web: www.regincontrols.com
 E-mail: info@regincontrols.com

RVAB4/RVAB5

Installation

The valve and actuator should never be mounted at an angle of more than 90°.



Technical data

Ambient temperature	-5...+50 °C
Storage temperature	-30...+70 °C
Ambient humidity	Max. 90 % RH (non-condensing)
Protection class	IP54
Working angle	90°
Connection, actuator	Square 9 mm hole with M5 screw

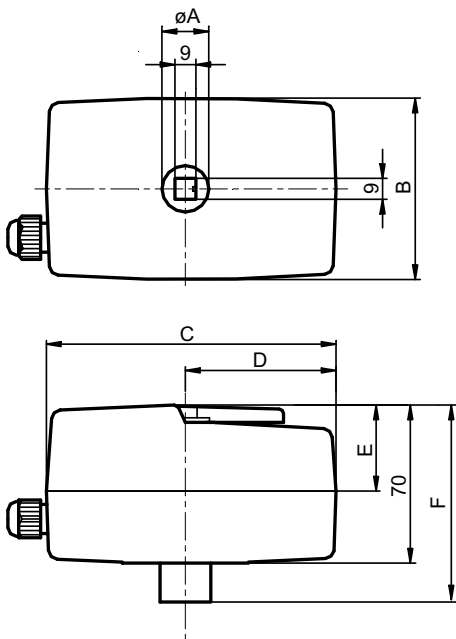


This product carries the CE-mark. More information is available at www.regincontrols.com.

Models

Article	Supply voltage	Power consumption	Control signal	Torque	Running time, actuator	Valve
RVAB4-24	24 V AC	3 VA	Floating or On/off (3-wire)	≥ 4 Nm	45 s / 90°	BV2/BV3 size DN15...DN25
RVAB4-24A	24 V AC	4 VA	0(2)...10 V DC or 0(4)...20 mA	≥ 4 Nm	45 s / 90°	BV2/BV3 size DN15...DN25
RVAB4-230	230 V ~	5 VA	Floating or On/off (3-wire)	≥ 4 Nm	45 s / 90°	BV2/BV3 size DN15...DN25
RVAB5-24	24 V AC	3 VA	Floating or On/off (3-wire)	≥ 5 Nm	50 s / 90°	BV2/BV3 size DN32...DN50
RVAB5-24A	24 V AC	4 VA	0(2)...10 V DC or 0(4)...20 mA	≥ 5 Nm	50 s / 90°	BV2/BV3 size DN32...DN50
RVAB5-230	230 V ~	5 VA	Floating or On/off (3-wire)	≥ 5 Nm	50 s / 90°	BV2/BV3 size DN32...DN50

Dimensions



HEAD OFFICE SWEDEN

Phone: +46 31 720 02 00
 Web: www.regincontrols.com
 E-mail: info@regincontrols.com

RVAB4/RVAB5

Model	øA	B	C	D	E	F
RVAB4...	16	77	92	57	39	82.5
RVAB5...	20	78	123	64	41	83

[mm]

Wiring

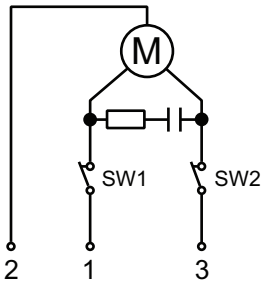


Fig. 1 Floating / On/off (3-wire)

Power supply	Rotate to
1-2	0°
2-3	90°

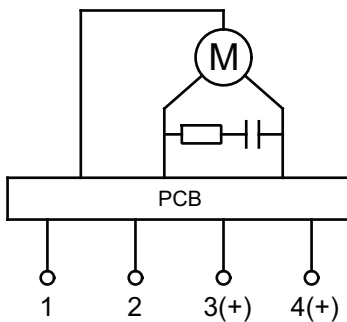


Fig. 2 0...10 VDC

Terminal	Colour	Description
1	Red	Supply voltage 24 V AC
2	Blue	System neutral
3	Yellow	Control signal 0(2)...10 V DC or 0(4)...20 mA
4	Green	Signal feedback 0...10 V DC

Input control signal DA	Input control signal RA	Actuator Rod
Increase	Decrease	To 90°
Decrease	Increase	To 0°

DA = Direct action, RA = Reverse action

Documentation

All documentation can be downloaded from www.regincontrols.com.