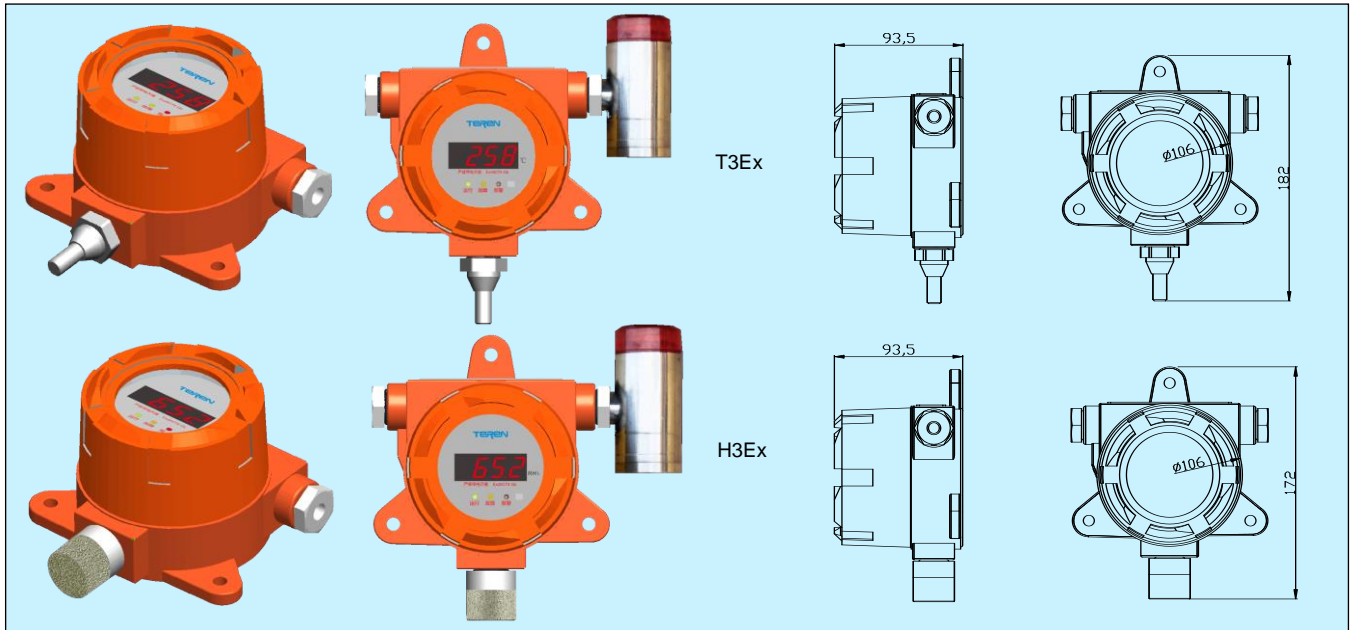


T3Ex/H3Ex Explosion-proof Temperature/Humidity Transmitter



Applications & Features

- Designed for open air temperature and humidity measurement in harsh environment and combustible, explosive or toxic areas
- Industrial die cast aluminum explosion-proof housing, with the sensor module placed in a separated metal probe chamber, ensure electrically isolated from the housing
- Moisture and corrosion resistant, IP66 protection rate, can be used in various harsh and hazardous environments
- Professional high sensitivity temperature and humidity sensor, stable signal, high precision, wide measuring range and good linearity
- State of art housing, easy installation
- Modular sensor assembly, easy replacement and maintenance
- Made to meet Explosion Proof standards GB 3836.1-2010 and GB 3836.2-2010 with certificate Ex d IIC T6 Gb. Suitable for Zone 1 & 2 hazardous areas where there are explosive mixtures of IIA, IIB, IIC, T1-T6 combustible gas, vapor and air

Specifications

T3Ex Explosion proof Temperature Transmitter

Sensor: Digital temperature sensor

Range: See models

Accuracy: $\leq \pm 0.5^{\circ}\text{C}@0\sim 85^{\circ}\text{C}$

Repeatability: $\pm 0.1^{\circ}\text{C}$

Response: <5~60s

Drift: $< \pm 0.1^{\circ}\text{C}/\text{year}$

H3Ex Explosion proof Temp. & Humidity Transmitter

Sensor: Digital polymer humidity & temperature sensor

Relative humidity

Range: 0~100%RH

Accuracy: 3% @ 25°C & 20~80%RH

Hysteresis: $< \pm 1\% \text{RH}$

Response time: <10s (25°C, in slow air)

Drift: $< \pm 0.5\% \text{RH}/\text{year}$

Temperature

Range: See models

Accuracy: $\leq \pm 0.5^{\circ}\text{C}@0\sim 50^{\circ}\text{C}$

Repeatability: $\pm 0.1^{\circ}\text{C}$

Response: <5~60s

Drift: $< \pm 0.1^{\circ}\text{C} / \text{year}$

Power: 18.5~35VDC

Output: 0~10V, 4~20mA (3 wires), RS485/Modbus

Load: $\geq 2\text{k}\Omega$ (0-10V), $\leq 500\Omega$ (4-20mA)

Relay: SPST, 3A/30VDC

Display: LED digital display, power/fault/alarm LED indicator

Alarm: audible & visual, $\geq 90\text{dB}@0.1\text{m}$, 1800~2400mcd

Operating condition: $-30\sim 70^{\circ}\text{C}$, 5~95%RH(Non-cond.)

Housing: die cast aluminum housing, SS probe, SS sintered filter(H3Ex)

Protection: IP66

Approval: Ex d IIC T6 Gb, EMC(2014/30/EU, EN50270)

Weight: 1.0-1.2kg

Models

Model	T3Ex				Ex-proof Temp. Transmitter
	H3Ex				Ex-proof Temp. & Hum. Transmitter
Output		1			0~10V
		2			4~20mA(3 wires)
		8			RS485/Modbus
Temp. Range			1		0~50°C
			2		-10~90°C
			3		-40~60°C
			7		Others
Relay Output			0		NA
			1		1xSPST
Alarm			0		NA
			1		Audible & Visual Alarm