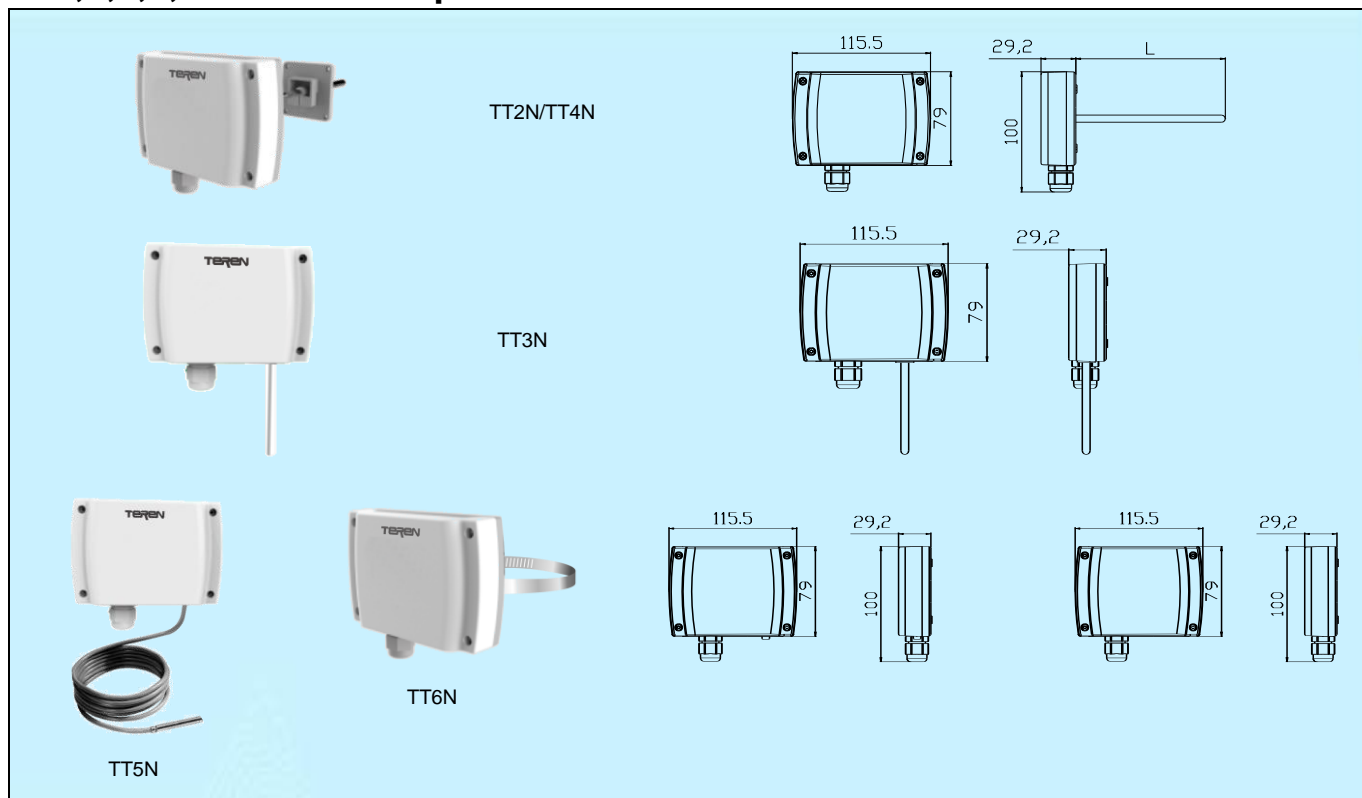


# TT2,3,4,5,6N Series Temperature Sensor/Transmitter



## Applications & Features

- Used for temperature measurement in duct (TT2N), water and steam pipe (TT4N), outside (TT3N) and remote (TT5N), strap-on (TT6N) models
- High performance temp. sensor and long term stability
- Light and state of art housing, easy installation
- Multiple outputs selection, over voltage and reverse polarity protection, high reliability and anti-interference capability
- Wide temperature range and fast response

## Specifications

**Sensor:** PT1000, class A

**Range:** see models

**Output:** 4~20mA (2 wires) or 0~10VDC, 0~5VDC

**Output Load:**  $\leq 500\Omega$  (current),  $\geq 3K\Omega$  (0~10VDC),  $\geq 2K\Omega$  (0~5VDC)

**Total accuracy:**  $\leq \pm 0.5^\circ\text{C}$  @ 0~50°C, see accuracy curve

**Power:** Current 18.5~35VDC ( $R_L=500\Omega$ ), 8.5~35VDC ( $R_L=0\Omega$ )  
Voltage 16~35VDC, 16~28VAC

**Work Temp. (Whole product):** -30~70°C, 0~95%RH (Non cond.)

**Medium Temperature (Probe):** -40~100°C

**Storage Temperature:** -30~70°C

**Housing:** fireproof ABS, SS probe ( $\phi 6\text{mm}$ ), SS Well

**Cable (TT5N):** Black, silicone,  $2 \times 0.3\text{mm}^2$ , 1m length, -60~180°C,  $R_{\text{conductor}}=0.069\Omega/\text{m}$ ,  $R_{\text{insulation}} > 100\text{M}\Omega$  (25°C)

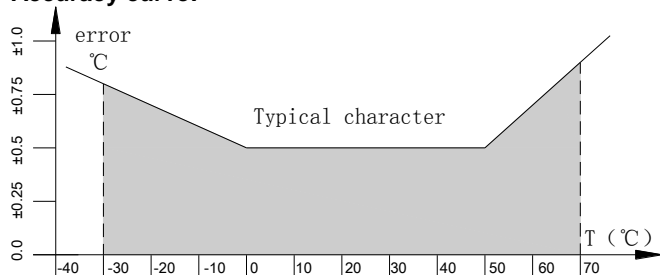
**Hose clamp (TT6N):** stainless steel, diameter 15~150mm

**Protection:** IP65 (IP68 for TT5N's probe, 1m water depth)

**Weight:** TT2N:142g; TT3N:180g; TT4N:350g; TT5N:172g; TT6N:220g

**Approval:** CE

**Accuracy curve:**



## Models

<b>Model</b>	TT2N TT3N TT4N TT5N TT6N				Duct mount temperature transmitter Outside air temperature transmitter Immersion temperature transmitter Remote temperature transmitter Strap-on temperature transmitter
<b>Output</b>		1 2 E			0~10V 4~20mA (2 wires) 0~5V
<b>Range</b>			1 2 3 7		0~50°C 0~100°C -40~60°C others
<b>Probe Length (TT2/4N)</b>				0 1 2 7	75mm 125mm 200mm Others

1. TT4N SS install well is the same as T4, A-T0/T1/T2.
2. The standard cable of TT5N is 1m. It can be ordered for other length of integer meters, such as TT5N11-2, which means the cable length is 2 m.

## Accessories

**TT4N/TTD4N Stainless Steel Well**

**TT2N/TTD2N Install Flange**

**Model: A-T0 (L=75mm)**

**A-T1 (L=125mm)**

**A-T2 (L=200mm)**

