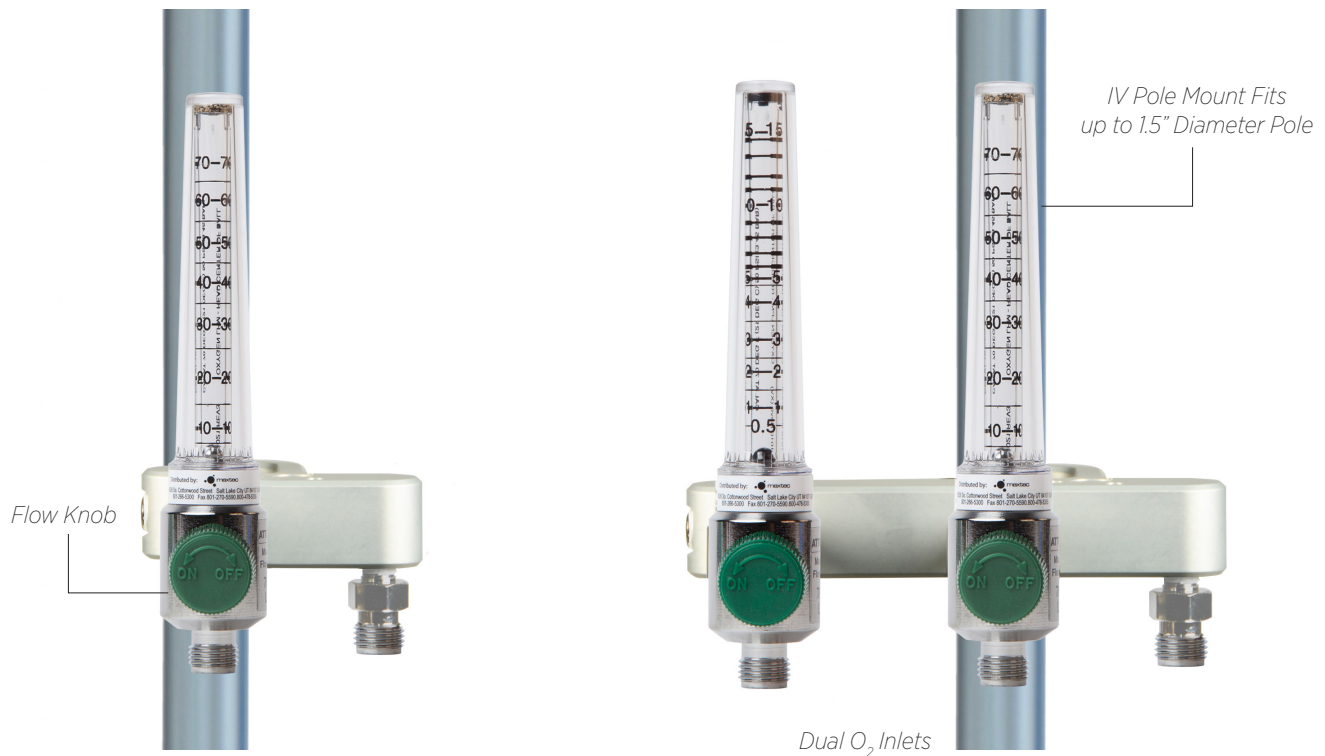


# Flowmeter Manifold



## ► Flowmeters, where you need them.

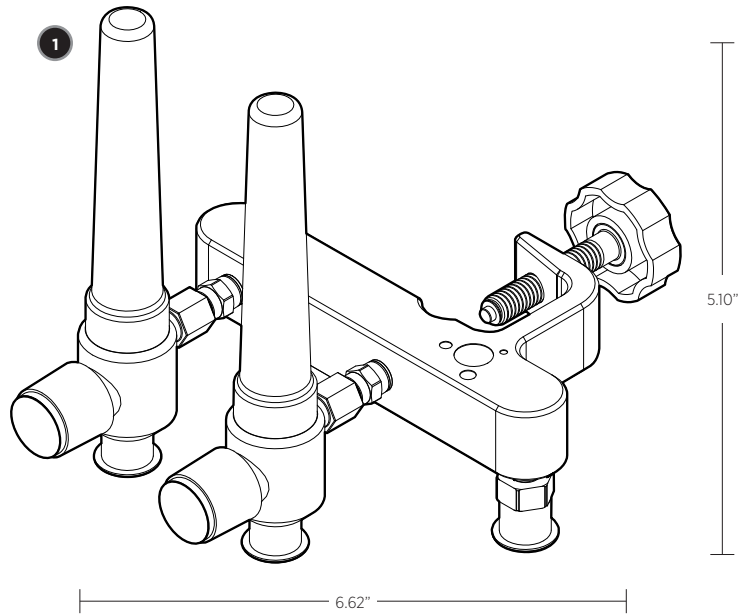
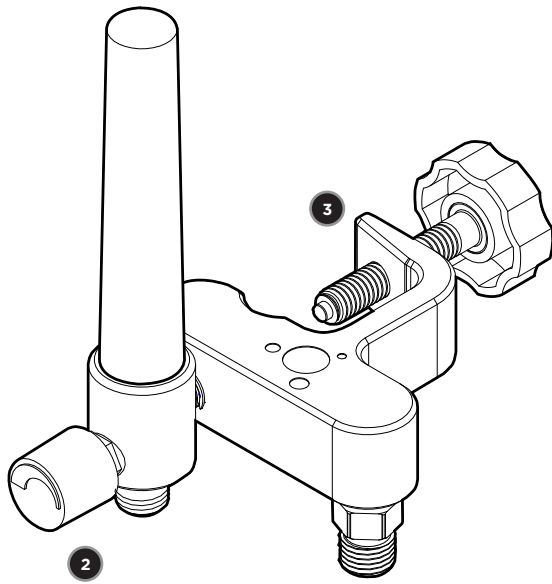
The **Flowmeter Manifold** was designed to mount a single or dual flowmeter configuration to an IV Pole of up to a 1.5" diameter. The manifold is equipped with fittings (DISS or NIST) in order to receive gas from a wall or cylinder source. Flow meters can be equipped in multiple combinations

### Part Numbers

#### DISS Options (USA)

0-70 LPM single . . . . .	R220P01-001
0-70 LPM & 0-15 LPM dual. . . . .	R220P11-001
0-15 LPM single (w/hose). . . . .	R220P05-002
2-26 LPM single (w/hose) . . . . .	R220P07-002

*See reverse side for additional options*



**1. Flow Meter(s)**

*Low flow & high flow available*

**2. Flow Control Knob**

*Available in US or ISO colors*

**3. Pole Mount**

*For poles up to 1.5" in diameter*

**Specifications**

Max Pressure: ..... 100 psi  
 Application: ..... Fits poles up to 1.5" diameter  
 Flowmeter: ..... Refer to flowmeter IFU for specifications

**International Part Number Options:**

**NIST (Europe)**

0-70 LPM single ..... R220P01-008  
 0-70 LPM & 0-15 LPM dual..... R220P11-006  
 0-15 LPM single (w/hose)..... R220P05-006  
 2-26 LPM single (w/hose) ..... R220P07-006

**DISS Nipple Nut (Canada/Australia)**

0-70 LPM single ..... R220P01-007  
 0-70 LPM & 0-15 LPM dual..... R220P11-005  
 0-15 LPM single (w/hose)..... R220P05-005  
 2-26 LPM single (w/hose) ..... R220P07-005

**NOTE:** Additional combinations of flow meters and fittings are available upon request.