

LCR METER Series

Component measuring instruments



From Production Lines to Research and Development A New Series of LCR Meters to Meet Your Applications

New LCR METER Models IM3523, IM3533, and IM3533-01 are highly cost-effective testers that provide greater performance and better functionality than previous HIOKI models, such as a high basic accuracy of $\pm 0.05\%$, a wide measurement frequency from 1 mHz (40 Hz for the IM3523) to 200 kHz, high-speed measurement of up to 2 ms, highly reliable measurement using the contact-check function, and measurement of turn ratio and mutual inductance. Select the best model according to your application, from production lines to research and development.



www.hioki.com




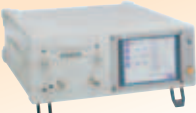








Quality Hioki Products Online at:

www.GlobalTestSupply.com

sales@GlobalTestSupply.com

LCR Meter Series Full Product Lineup

Model	Measurement speed (Basic value)		Measurement capabilities/ Frequency range	
			Applications and measurement object	
LCR METER IM3533-01		2ms	DC 1mHz	200kHz
			High-end model of the IM3523 and IM3533 with sweep measurement For electrochemistry applications, research and development and production lines of electronic components	
LCR METER IM3533		2ms	DC 1mHz	200kHz
			Capable of special measurements of transformers including turn ratio and mutual inductance Particularly useful in production lines and research and development of transformers, coils, etc.	
LCR METER IM3523		2ms	DC	40Hz 200kHz
			Extremely cost-effective model suitable for production lines including integration into automated machinery For C-D and ESR measurement of electrolytic capacitors and L-Q and DCR measurement of inductors	
LCR HiTESTER 3535		6ms		100kHz 120MHz
			High-frequency measurement at 120 MHz Ideal for production lines of ferrite beads and inductors *Requires the 9700-10 Head Amp	
IMPEDANCE ANALYZER IM3570		0.5ms	DC 4Hz	5MHz
			LCR meter integrated with impedance analyzer Measure the frequency characteristics of piezo-electric devices, functional polymer capacitors, and power inductors	
CHEMICAL IMPEDANCE ANALYZER IM3590		2ms	DC 1mHz	200kHz
			Supports LCR impedance measurements for Cole-Cole plots and equivalent-circuit analyses Measure electrochemical components, materials, batteries, and electric double-layer capacitors (EDLCs)	
LCR HiTESTER 3532-50		5ms		42Hz 5MHz
			General-purpose LCR meter at 5 MHz Measure electronic components such as capacitors and inductors	
LCR HiTESTER 3511-50		5ms		120Hz 1kHz
			Compact LCR meter with single function For production lines of aluminum electrolytic capacitors	
C METER 3506-10		1.5ms		1kHz 1MHz
			C meter for low-capacity capacitors Ideal for testing taping machines and sorters	
C HiTESTER 3504-10/50/100		2ms		120Hz 1kHz

LCR METER IM3523

Ideal for Production Lines and Automated Testing

- ±0.05% accuracy with wide measurement range (DCR testing, 40Hz to 200kHz, 5mV to 5V, 10uA to 50mA)
- Non-stop testing over mixed measurement conditions such as C-D and ESR at 10 times the speed of previous models
- Built-in comparator and BIN functions
- Rapid 2msec test time



Note: This product is not supplied with measurement probes or test fixtures. Please select and purchase the measurement probe or test fixture options appropriate for your application separately. All probes are constructed with a 50Ω coaxial cable. For an RS-232C connection: A crossover cable for interconnection can be used. You can use the RS-232C CABLE 9637 without hardware flow control.

■ Basic specifications (Accuracy guaranteed for 1 year)

Measurement modes	LCR, Continuous testing
Measurement parameters	Z, Y, θ , Rs (ESR), Rp, DCR (DC resistance), X, G, B, Cs, Cp, Ls, Lp, D (tan δ), Q
Measurement range	100m Ω to 100M Ω , 10 ranges (All parameters defined in terms of Z.)
Displayable range	Z, Y, Rs, Rp, Rdc, X, G, B, Ls, Lp, Cs, Cp : \pm (0.00000 [unit] to 9.99999G [unit]) Real value display for Z and Y only θ : \pm (0.000° to 999.999°), D: \pm (0.00000 to 9.99999) Q: \pm (0.00 to 9999.99), $\Delta\%$: \pm (0.000% to 999.999%)
Basic accuracy	Z: \pm 0.05% rdg. θ : \pm 0.03°
Measurement frequency	40 Hz to 200 kHz (1 mHz to 10 Hz steps)
Measurement signal level	Normal mode: V mode, CV mode: 5 mV to 5 Vrms, 1 mVrms steps CC mode: 10 μ A to 50 mArms, 10 μ Arms steps
Output impedance	Normal mode: 100 Ω
Display	Monochrome LCD
Measurement time	2 ms (1kHz, FAST, representative value)
Functions	Comparator, Classification measurement (BIN function), Panel loading/saving, Memory function
Interfaces	EXT I/O (handler), USB communication Optional: Choose 1 from RS-232C, GP-IB, or LAN
Power supply	100 to 240 V AC, 50/60 Hz, 50 VA max.
Dimensions and mass	260 mm (10.24 in) W x 88 mm (3.46 in) H x 203 mm (7.99 in) D 2.4 kg (84.7 oz)
Accessories	Power cord x1, Instruction manual x1, CD-R (Includes PC commands and sample software) x1

OPTIONS

FOUR-TERMINAL PROBE	9500-10
DC BIAS VOLTAGE UNIT	9268-10
DC BIAS CURRENT UNIT	9269-10
GP-IB INTERFACE	Z3000
RS-232C INTERFACE	Z3001
LAN INTERFACE	Z3002
FOUR-TERMINAL PROBE (DC to 5 MHz)	L2000
FOUR-TERMINAL PROBE (DC to 200 kHz)	9140-10
PINCHER PROBE (cable length 1m, DC to 5 MHz)	9143-10
TEST FIXTURE (cable length 1m, DC to 5 MHz)	9261-10
TEST FIXTURE (direct connection type, DC to 5 MHz)	9262
SMD TEST FIXTURE (direct connection type, DC to 5 MHz)	9263
SMD TEST FIXTURE (DC to 120 MHz)	9677
SMD TEST FIXTURE (DC to 120 MHz)	9699
GP-IB CONNECTION CABLE (2 m)	9151-02

LCR METER IM3533 IM3533-01

From R&D Applications to Windings, Coil and Transformer Manufacturing

- ±0.05% accuracy with wide measurement range (DCR testing, 1mHz to 200kHz, 5mV to 5V, 10uA to 50mA)
- Non-stop testing over mixed measurement conditions such as C-D and ESR at 10 times the speed of previous models
- Built-in low impedance high precision mode effective for testing low inductance or the ESR of aluminum electrolysis capacitance (10x the measurement speed and dramatic improvements in repeatability and stability over the previous model 3522-50)
- Dedicated modes for measuring transformer winding ratio, mutual inductance and temperature compensated DCR
- Frequency sweep testing (IM3533-01 only)
- 2m/4m cable setting in addition to the standard 0m/1m (IM3533-01 only)
- Built-in comparator and BIN functions
- Rapid 2msec test time



■ Basic specifications (Accuracy guaranteed for 1 year)

	IM3533	IM3533-01
Measurement modes	LCR, Transformer testing (N, M, Δ L), Continuous testing (LCR mode)	LCR, Transformer testing (N, M, Δ L), Analyzer (sweep testing), Continuous Testing (LCR/Analyzer mode)
Measurement parameters	Z, Y, θ , Rs (ESR), Rp, DCR (DC resistance), X, G, B, Cs, Cp, Ls, Lp, D (tan δ), Q, N, M, Δ L, T	
Measurement range	100m Ω to 100M Ω , 10 ranges (All parameters defined in terms of Z.)	
Displayable range	Z, Y, Rs, Rp, Rdc, X, G, B, Ls, Lp, Cs, Cp : \pm (0.00000 [unit] to 9.99999G [unit]) Real value display for Z and Y only θ : \pm (0.000° to 999.999°), D: \pm (0.00000 to 9.99999) Q: \pm (0.00 to 9999.99), $\Delta\%$: \pm (0.000% to 999.999%) T: -10.0°C to 99.9°C	
Basic accuracy	Z: \pm 0.05% rdg. θ : \pm 0.03°	
Measurement frequency	1 mHz to 200 kHz (1 mHz to 10 Hz steps)	
Measurement signal level	Normal mode: V mode, CV mode: 5 mV to 5 Vrms, 1 mVrms steps CC mode: 10 μ A to 50 mArms, 10 μ Arms steps Low impedance high accuracy mode: V mode, CV mode: 5 mV to 2.5 Vrms, 1 mVrms steps CC mode: 10 μ A to 100 mArms, 10 μ Arms steps	
Output impedance	Normal mode: 100 Ω , Low impedance high accuracy mode: 25 Ω	
Display	5.7-inch color TFT, display can be set to ON/OFF	
Measurement time	2 ms (1 kHz, FAST, display OFF, representative value)	
Functions	DC bias measurement, DC resistance temperature compensation (converted reference temperature display), Comparator, Panel loading/saving, Memory function	
Interfaces	EXT I/O (Handler), USB communication, USB memory Optional: Choose 1 from RS-232C, GP-IB, or LAN	
Power supply	100 to 240 V AC, 50/60 Hz, 50 VA max.	
Dimensions and mass	330 mm (12.99 in) W x 119 mm (4.69 in) H x 168 mm (6.61 in) D, 3.1 kg (109.3 oz)	
Accessories	Power cord x1, Instruction manual x1, CD-R (Includes PC commands and sample software) x1	

OPTIONS

FOUR-TERMINAL PROBE	9500-10
DC BIAS VOLTAGE UNIT	9268-10
DC BIAS CURRENT UNIT	9269-10
GP-IB INTERFACE	Z3000
RS-232C INTERFACE	Z3001
LAN INTERFACE	Z3002
FOUR-TERMINAL PROBE (DC to 5 MHz)	L2000
FOUR-TERMINAL PROBE (DC to 200 kHz)	9140-10
PINCHER PROBE (cable length 1m, DC to 5 MHz)	9143-10
TEST FIXTURE (cable length 1m, DC to 5 MHz)	9261-10
TEST FIXTURE (direct connection type, DC to 5 MHz)	9262
SMD TEST FIXTURE (direct connection type, DC to 5 MHz)	9263

IMPEDANCE ANALYZER | IM3570

Single Device Solution for High Speed Testing and Frequency Sweeping

- LCR measurement, DCR measurement, sweep measurement, continuous measurement and high-speed testing achieved with one instrument
- High-speed testing, achieving maximum speeds of 1.5ms (1 kHz) and 0.5ms (100kHz) in LCR mode
- High-accuracy measurements, basic accuracy of Z parameter: $\pm 0.08\%$
- Perform frequency sweeps, level sweeps, and time interval measurements in analyzer mode



Note: This product is not supplied with measurement probes or test fixtures. Please select and purchase the measurement probe or test fixture options appropriate for your application separately. For an RS-232C connection: A crossover cable for interconnection can be used. You can use the RS-232C cable 9638 without hardware flow control.

■ Basic specifications (Accuracy guaranteed for 1 year)

Measurement modes	LCR mode, Analyzer mode (Sweeps with measurement frequency and measurement level), Continuous measurement mode
Measurement parameters	Z, Y, θ , Rs (ESR), Rp, Rdc (DC resistance), X, G, B, Cs, Cp, Ls, Lp, D (tan δ), Q
Measurement range	100 m Ω to 100 M Ω , 12 ranges (All parameters are determined according to Z)
Display range	Z, Y, Rs, Rp, Rdc, X, G, B, Ls, Lp, Cs, Cp : $\pm(0.000000$ [unit] to 9.9999999 [unit], Absolute value display for Z and Y only θ : $\pm(0.000^\circ$ to 999.999 $^\circ)$, D : $\pm(0.000000$ to 9.999999) Q : $\pm(0.00$ to 99999.99), Δ % : $\pm(0.0000\%$ to 999.9999%)
Basic accuracy	Z : $\pm 0.08\%$ rdg., θ : $\pm 0.05^\circ$
Measurement frequency	4 Hz to 5 MHz (10 mHz to 100 Hz steps)
Measurement signal level	V mode/CV mode (normal mode): 50 mV to 5 Vrms, 1 mVrms steps (up to 1 MHz) 10 mV to 1 Vrms, 1 mVrms steps (over 1.0001 MHz) CC mode (normal mode): 10 μ A to 50 mArms, 10 μ Arms steps (up to 1 MHz) 10 μ A to 10 mArms, 10 μ Arms steps (over 1.0001 MHz)
Output impedance	Normal mode: 100 Ω , Low impedance high accuracy mode: 10 Ω
Display	5.7-inch color TFT, display can be set to ON/OFF
Measurement time	0.5 ms (100 kHz, FAST, display OFF, representative value)
Measurement speed	FAST/ MED/ SLOW/ SLOW2
Functions	DC bias measurement, Comparator, Panel loading/saving, Memory function
Interfaces	EXT I/O, RS-232C, GP-IB, USB communication, USB memory, LAN
Power supply	90 to 264 V AC, 50/60 Hz, 150 VA max.
Dimensions and mass	330 mm (12.99 in) W \times 119 mm (4.69 in) H \times 307 mm (12.09 in) D, 5.8 kg (204.6 oz)
Accessories	Instruction manual \times 1, Power cord \times 1, PC communication instruction manual (CD-R) \times 1

OPTIONS

EQUIVALENT CIRCUIT ANALYSIS FIRMWARE	IM9000
FOUR-TERMINAL PROBE (DC to 5 MHz)	L2000
FOUR-TERMINAL PROBE (DC to 200 kHz)	9140-10
PINCHER PROBE (cable length 1m, DC to 5 MHz)	9143-10
TEST FIXTURE (cable length 1m, DC to 5 MHz)	9261-10
FOUR-TERMINAL PROBE	9500-10
DC BIAS VOLTAGE UNIT	9268-10
DC BIAS CURRENT UNIT	9269-10
TEST FIXTURE (direct connection type, DC to 5 MHz)	9262
SMD TEST FIXTURE (direct connection type, DC to 5 MHz)	9263
SMD TEST FIXTURE (DC to 120 MHz)	9677
SMD TEST FIXTURE (DC to 120 MHz)	9699
GP-IB CONNECTION CABLE (2 m)	9151-02

LCR HiTESTER | 3532-50

Impedance meter with a wide test frequency range

- High speed measurement of 5 ms
- Higher frequency range : 42 Hz to 5 MHz
- Fourteen parameters measured
(High resolution and high accuracy)
- Interactive touch panel operation
- Wide setting range for measurement voltage and current



Note: This product is not supplied with measurement probes or test fixtures. Please select and purchase the measurement probe or test fixture options appropriate for your application separately. For an RS-232C connection: You can use the RS-232C cable 9637 without hardware flow control.

OPTIONS

FOUR-TERMINAL PROBE (DC to 100 kHz)	9140
PINCHER PROBE (DC to 5 MHz)	9143
TEST FIXTURE (cable connection type, DC to 5 MHz)	9261
TEST FIXTURE (direct connection type, DC to 5 MHz)	9262
Note: Measurement ranges are limited when using the 9140, 9143	

CONNECTION CORD (for 9268/9269; BNC to BNC, 1.5 m)	9165
CONNECTION CORD (for 9268/9269; BNC to clip, 1.5 m)	9166
GP-IB CONNECTION CABLE (2 m)	9151-02
GP-IB INTERFACE	9518-01
RS-232C INTERFACE	9593-01

■ Basic specifications (Accuracy guaranteed for 6 months)

Measurement parameters	Z , Y , θ , Rp, Rs(ESR), G, X, B, Cp, Cs, Lp, Ls, D (tan δ), and Q
Measurement ranges	100 m Ω to 100 M Ω , 10 ranges (All parameters defined by Z)
Extent of Measurement Impedance	Z , R , X: 10.00 m Ω to 200.00 M Ω (depending on condition) θ : -180.00 to +180.00 $^\circ$, C: 0.3200 pF to 370.00 mF, L: 16.000 nH to 750.00 kH, D: 0.00001 to 9.99999, Q: 0.01 to 999.99, Y , G, B: 5.0000 nS to 99.999 S (Note: All measurement ranges except for Z are for reference only)
Basic accuracy	Z : $\pm 0.08\%$ rdg., θ : $\pm 0.05^\circ$
Source frequency	42Hz to 5MHz (0.1Hz to 1kHz steps)
Measurement signal level	10 mV to 5 V rms (up to 1 MHz), 50 mV to 1 V rms (1 MHz to 5 MHz), (1 mV rms steps) 10 μ A to 100 mA rms (up to 1 MHz), 50 μ A to 20 mA rms (1 MHz to 5 MHz), (10 μ A rms steps)
Output resistance	50 Ω
Display	LCD with backlight display, 99999 (3, 4, or 5 digits unit setting possible)
Measurement times	FAST: 5 ms, NORMAL: 21 ms, SLOW1: 72 ms, SLOW2: 140 ms (typical values for displaying Z)
DC bias	Superimposed DC voltage, DC current to source signal (used with the optional DC bias unit and constant voltage or current source equipment)
Functions	Comparator, External input/Output (EXT. I/O), GP-IB or RS-232C interface (option) (Note: RS-232C interface required if used with the Printer 9442.)
Power supply	Selectable 100, 120, 220 or 240 V AC $\pm 10\%$, 50/60 Hz 50 VA max.
Dimensions and mass	348 mm (13.70 in) W \times 113 mm (4.45 in) H \times 273 mm (10.75 in) D, 5.7 kg (201.1 oz)
Accessories	Instruction manual \times 1, Power cord \times 1, Spare fuse \times 1

LCR HiTESTER | 3511-50

Compact & powerful dedicated LCR measurement in 5m second timeframes

- High speed measurement : 5ms (1 kHz) or 13ms (120 Hz)
- Built-in high-speed comparator
- Measurement frequency : 1kHz/ 120Hz selectable



CE **GP-IB** **RS-232C**
OPTION STANDARD

Note: This product is not supplied with measurement probes or test fixtures. Please select and purchase the measurement probe or test fixture options appropriate for your application separately. For an RS-232C connection: You can use the RS-232C cable 9637 without hardware flow control.

Basic specifications (Accuracy guaranteed for 6 months)

Measurement parameters	I, ZI, θ, C, L, D, Q, R
Measurement method	Source : open terminal voltage 50mV, 500mV, 1Vrms (AC) sense: voltage, AC
Source frequency	120 Hz or 1 kHz
Measurement range	I, ZI, R : 10 m Ω to 200.00 M Ω (depending on condition) θ : -90.00 to +90.00°, C : 0.940 pF to 999.99 mF, L : 1.600 μ H to 200.00 kH, D : 0.0001 to 1.9900, Q : 0.85 to 999.99
Basic accuracy	I, ZI : \pm 0.08% rdg., θ : \pm 0.05°
Measurement time	Fast : 5 msec. to Slow : 300 msec. (at 1 kHz) Fast : 13 msec. to Slow : 400 msec. (at 120 Hz)
Display	99999 full digits, LED
Comparator functions	Setting : Upper and lower limit, absolute value, Output : 3 levels (Hi, In, Lo), Open-collector, Isolated
External printer	9442 (use with the 9443-02 /9444)
Power supply	100 to 240 V AC (selectable type), 50/60Hz
Dimensions and mass	210 mm(8.27 in)W \times 100 mm(3.94 in)H \times 168 mm(6.61 in)D, 2.5 kg (88.2 oz)
Accessories	Instruction manual \times 1, Power cord \times 1, Spare fuse \times 1

OPTIONS

FOUR-TERMINAL PROBE (DC to 100 kHz)	9140
PINCHER PROBE (DC to 5 MHz)	9143
TEST FIXTURE (cable connection type, DC to 5 MHz)	9261
TEST FIXTURE (direct connection type, DC to 5 MHz)	9262
SMD TEST FIXTURE (direct connection type, DC to 5 MHz)	9263
DC BIAS VOLTAGE UNIT (\pm 40 V DC max.)	9268
DC BIAS CURRENT UNIT (\pm 2 A DC max.)	9269
CONNECTION CORD (for 9268/9269; BNC to BNC, 1.5 m)	9165
CONNECTION CORD (for 9268/9269; BNC to clip, 1.5 m)	9166
GP-IB CONNECTION CABLE (2 m)	9151-02
GP-IB INTERFACE	9518-01
PRINTER	9442
AC ADAPTER (for the 9442, for 200~240 V power lines)	9443-02
CONNECTION CABLE (for the 3511-50/9442)	9444
RECORDING PAPER (25 m, 10 rolls/ set, for the 9442)	1196

CHEMICAL IMPEDANCE ANALYZER | IM3590

Ideal for Measuring Electrochemical Impedance High-precision, Easy-to-use Operation

- 1mHz to 200kHz wide frequency source ideal for measuring ionic behavior and solution resistance
- High-speed LCR and continuous sweep testing with a single unit
- Measure the internal impedance of batteries in no-load state
- Fastest test speed of 2ms enables rapid sweep measurements
- Basic accuracy of \pm 0.05% ideal for both component inspections and R&D
- Rich functions such as Cole-Cole plot and equivalent circuit analysis meet advanced applications in electrochemical and material impedance (LCR) testing



CE **USB_{2.0}** **GP-IB** **RS-232C** **LAN**
STANDARD OPTION OPTION OPTION

OPTIONS

FOUR-TERMINAL PROBE	9500-10
DC BIAS VOLTAGE UNIT	9268-10
DC BIAS CURRENT UNIT	9269-10
GP-IB INTERFACE	73000

Basic specifications (Accuracy guaranteed for 1 year)

Measurement modes	LCR mode, Analyzer mode (Sweeps with measurement frequency and measurement level), Continuous measurement mode
Measurement parameters	Z, Y, θ, Rs (ESR), Rp, Rdc (DC resistance), X, G, B, Cs, Cp, Ls, Lp, D (tanδ), Q, T, δ, ϵ
Measurement range	100m Ω to 100M Ω , 10 ranges (All parameters are determined according to Z)
Displayable range	Z, Y, Rs, Rp, Rdc, X, G, B, Ls, Lp, Cs, Cp, δ, ϵ : \pm (0.00000 [unit] to 9.999999G [unit]) Absolute value display for Z and Y only Real value display for Z and Y only θ : \pm (0.000° to 999.999°), D : \pm (0.00000 to 9.99999), Q : \pm (0.00 to 9999.99), Δ% : \pm (0.000% to 999.999%), T : -10.0°C to 99.9°C
Basic accuracy	Z : \pm 0.05% rdg., θ : \pm 0.03°
Measurement frequency	1 mHz to 200 kHz (1 mHz to 10 Hz steps)
Measurement signal level	Normal mode : V mode/ CV mode: 5 mV to 5 Vrms, 1 mVrms steps CC mode: 10 μ A to 50 mArms, 10 μ Arms steps Low impedance high accuracy mode : V mode/ CV mode: 5 mV to 2.5 Vrms, 1 mVrms steps CC mode: 10 μ A to 100 mArms, 10 μ Arms steps
Output impedance	Normal mode : 100 Ω Low impedance high accuracy mode : 25 Ω
Display	5.7-inch color TFT, display can be set to ON/OFF
Measurement time	2 ms (1kHz, FAST, display OFF, representative value)
Measurement speed	FAST/MED/SLOW/SLOW2
Functions	Comparator, Classification measurement (BIN function), Panel loading/saving, Memory function
Interfaces	EXT I/O (handler), USB communication, USB memory Optional: Choose 1 from RS-232C, GP-IB, or LAN
Power supply	100 to 240 V AC, 50/60 Hz, 50 VA max.
Dimensions and mass	330 mm (12.99 in) W \times 119 mm (4.69 in) H \times 168 mm (6.61 in) D, 3.1 kg (109.3 oz)
Accessories	Power cord \times 1, Instruction manual \times 1, CD-R (Communication instruction manual and sample software [Communications control, Accuracy calculation, and screen capture functionality]) \times 1

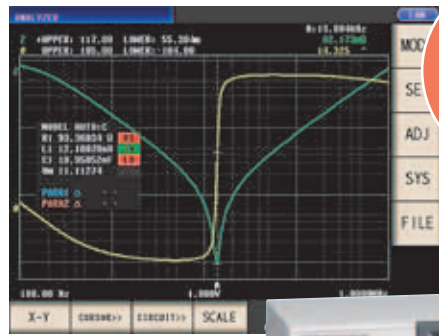
Note: Test fixtures are not supplied with the unit. Select an optional test fixture or probe when ordering. Probes are constructed with a coaxial cable with 50 Ω impedance characteristics. For an RS-232C connection: You can use the RS-232C cable 9637 without hardware flow control.

EQUIVALENT CIRCUIT ANALYSIS FIRMWARE | IM9000

Enabling Simple Circuit Analysis & Detailed Acceptance/Rejection Decision-Making

- The IM9000 can automatically select the equivalent circuit model from the five typical models to minimize the differences between the measured values and the ideal frequency characteristics derived from the analysis results.
- An acceptance/rejection decision can be made for the L, C, and R elements comprising a part and the resonance sharpness (mechanical quality coefficient).
- A detailed decision can be made on the elements using the resonance of a piezoelectric element or inductor.

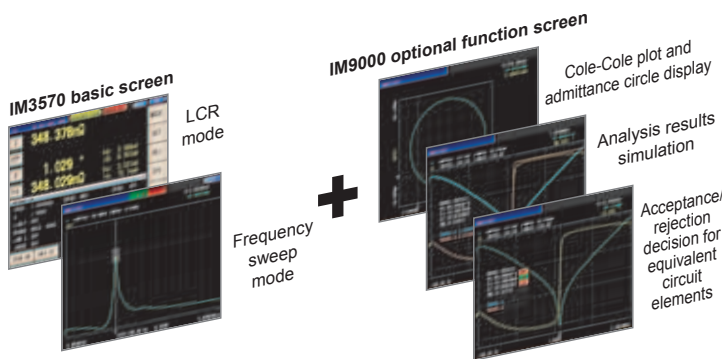
Note: The Equivalent circuit analysis firmware IM9000 is an optional function for the Impedance analyzer IM3570. The IM9000 is not included in the standard package. If you want to use the IM9000 function, specify the option upon purchase. Customers who have purchased the Impedance analyzer IM3570 can add the Equivalent circuit analysis firmware IM9000 function. Please contact your local HIOKI representative.



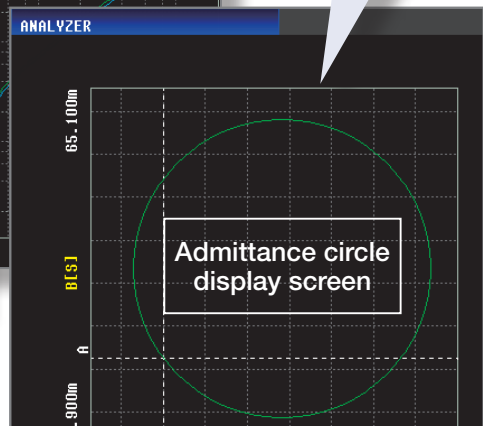
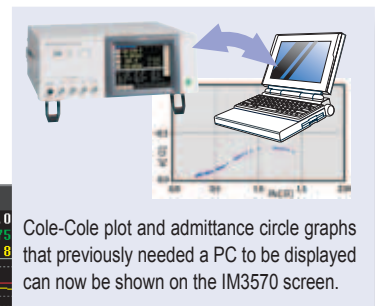
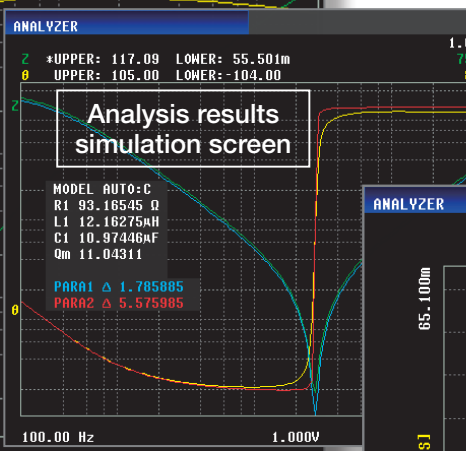
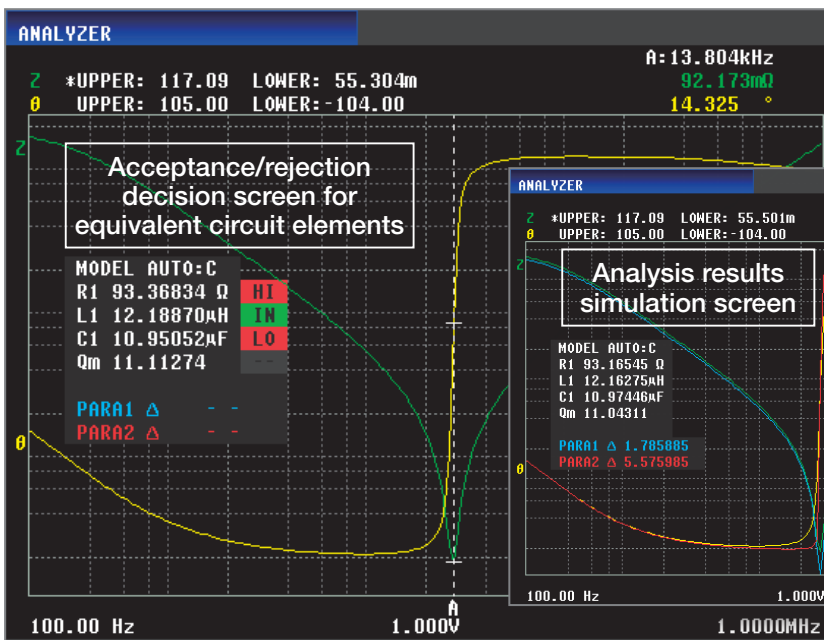
Impedance Analyzer IM3570 option



The Equivalent Circuit Analysis Firmware IM9000 Provides an Optional Function to Perform a Variety of Equivalent Circuit Analysis and Display Graphs



- Five equivalent circuit analysis (Auto/Fixed) patterns
- Acceptance/rejection decision for equivalent circuit elements
- Analysis results simulation
- Cole-Cole plot and admittance circle display



■ Features

● Simple:

Automatic Selection of Equivalent Circuit Model

The IM9000 can automatically select the equivalent circuit model from the five typical models to minimize the differences between the measured values and the ideal frequency characteristics derived from the analysis results.

● Detailed:

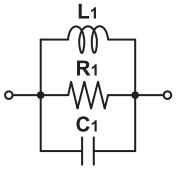
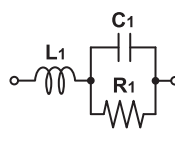
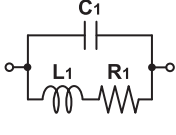
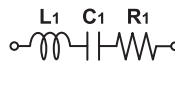
Acceptance/Rejection Decision for Elements Comprising Part

An acceptance/rejection decision can be made for the L, C, and R elements comprising a part and the resonance sharpness (mechanical quality coefficient). A detailed decision can be made on the elements using the resonance of a piezoelectric element or inductor.

■ Equivalent Circuit Analysis Firmware IM9000 Specifications

● Equivalent Circuit Model and Measurement Items

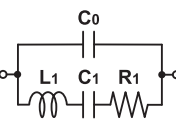
■ Three-element model

A		Coil: Core loss is large while ESR is small	C		Capacitor: Impact of the leakage resistance is large Resistance: Resistance is large and impact of the floating capacitance is large
B		Coil: ESR is relatively large Resistance: Resistance is small and impact of the wire inductance is large	D		Capacitor: General capacitor

■ Measurement items (Three-element model)

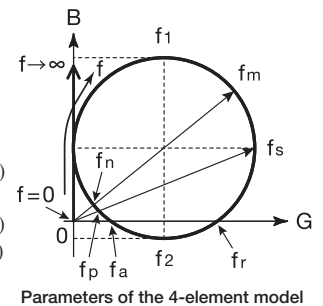
- L1** (Inductance)
- C1** (Capacitance)
- R1** (Resistance)
- Qm** (Resonance sharpness)
- fr (Resonance frequency) /
- fa (Anti-resonance frequency)

■ Four-element model

E		Piezoelectric element
----------	---	------------------------------

■ Measurement items (Four-element model)

- L1** (Inductance)
- C1** (Capacitance)
- R1** (Resistance)
- C0** (Parallel capacitance)
- Qm** (Resonance sharpness or mechanical quality coefficient)
- fr (Resonance frequency)
- fa (Anti-resonance frequency)
- fs (Series resonance frequency)
- fp (Parallel resonance frequency)
- fm (Maximum admittance frequency)
- fn (Minimum admittance frequency)
- f1 (Maximum susceptance frequency)
- f2 (Minimum susceptance frequency)



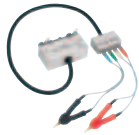
● Other functions

Circuit model selection	AUTO (automatic selection) / HOLD (fixed)
Estimation execution	AUTO (estimation is executed after frequency sweep ends) / MANUAL (estimation is executed by the user)
Sweep range using estimation	Normal sweep: Analysis is performed in the sweep range from the analysis start frequency to the analysis end frequency Segment sweep: Analysis is performed in the sweep range of the set segment number
Simulation	Enables displaying and comparing the ideal frequency characteristics graph derived from the analysis results or the values specified by the user

Comparator	Runs a comparator on the analysis results and outputs the decision results to LCD, EXT. I/O R1, L1, C1, C0, Qm: HI/IN/LO, absolute value setting
Display position of estimation results	Select the display position from upper, lower, left or right
X-Y display	Cole-Cole plot: Set Rs to the first measurement item, X to the third measurement item, reverse the polarity of the third measurement item, and set correction coefficient A = -1 for scaling correction Admittance circle display: Set G to the first measurement item and B to the third measurement item

OPTIONS

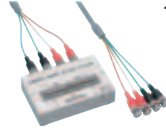
Probes and Test Fixtures for Lead Components



FOUR-TERMINAL PROBE L2000
Cable length 1 m (3.28 ft), DC to 5 MHz, impedance characteristics of 50 Ω, 4-terminal pair configuration, measurable conductor diameter: ø0.3 mm (0.01 in) to 5 mm (0.20 in)



FOUR-TERMINAL PROBE 9140-10
Cable length 1 m (3.28 ft), DC to 200 kHz, impedance characteristics of 50 Ω, 4-terminal pair configuration, measurable conductor diameter: ø0.3 mm (0.01 in) to 5 mm (0.20 in)



TEST FIXTURE 9261-10
Cable length 1 m (3.28 ft), DC to 5 MHz, impedance characteristics of 50 Ω, 4-terminal pair configuration, measurable conductor diameter: ø0.3 mm (0.01 in) to 1.5 mm (0.06 in)



FOUR-TERMINAL PROBE 9140
DC to 100kHz, 1 m (3.28 ft) length



TEST FIXTURE 9261
DC to 5MHz, Cable connecting type, 1m (3.28ft) length



TEST FIXTURE 9262
Direct connection type, DC to 5 MHz, measurable conductor diameter: ø0.3 mm (0.01 in) to 2 mm (0.08 in)

Four-Terminal Probe for Electrochemical Measurement



FOUR-TERMINAL PROBE 9500-10
Cable length 1 m (3.28 ft), DC to 200 kHz, impedance characteristics of 50 Ω, 4-terminal pair configuration, measurable conductor diameter: ø0.3 mm (0.01 in) to 2 mm (0.08 in)

Test Fixtures for SMD



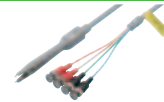
SMD TEST FIXTURE 9263
Direct connection type, DC to 5 MHz, Test sample dimensions: 1 mm (0.04 in) to 10 mm (0.39 in)



SMD TEST FIXTURE 9677
Direct connection type, For measuring SMDs with electrodes on the side; DC to 120MHz, test sample dimensions: 3.5mm ±0.5mm (0.14in ±0.02in)



SMD TEST FIXTURE 9699
Direct connection type, For measuring SMDs with electrodes on the bottom; DC to 120MHz, test sample dimensions: 1.0mm (0.04in) to 4.0mm (0.16in) wide, maximum 1.5mm (0.06in) high



PINCHER PROBE 9143-10
Cable length 1 m (3.28 ft), DC to 5 MHz, impedance characteristics of 50 Ω, 4-terminal pair configuration, tip electrode spacing: 0.3 mm (0.01 in) to 6 mm (0.24 in)



PINCHER PROBE 9143
DC to 5 MHz, Cable length 1 m (3.28 ft)

DC Bias Unit



DC BIAS VOLTAGE UNIT 9268-10
Direct connection type, 40 Hz to 5 MHz, maximum applied voltage of DC ±40 V.



DC BIAS CURRENT UNIT 9269-10
Direct connection type, 40 Hz to 2 MHz, maximum applied current of DC 2 A (maximum applied voltage of DC ±40 V).



DC BIAS VOLTAGE UNIT 9268
42 Hz to 5 MHz, max. allowable voltage ± 40 V DC



DC BIAS VOLTAGE UNIT 9268-01
For HDMI, 42 Hz to 5 MHz, max. allowable voltage: ±4V DC



DC BIAS CURRENT UNIT 9269
42 Hz to 100 kHz, max. allowable current: ±2A DC

*When using the DC Bias Unit, external constant-voltage and constant-current sources are required.

HIOKI LCR Fixtures and Probes			3506-10	3504S	3511-50	3532-50	3535	IM3523	IM3533	IM3533-01	IM3570	IM3590
			C	C	LCR	LCR	LCR	LCR	LCR	LCR	LCR	LCR
			1kHz,1MHz	120Hz,1kHz	120Hz,1kHz	42Hz to 5MHz	100kHz to 120MHz	40Hz to 200kHz	1mHz to 200kHz	1mHz to 200kHz	4Hz to 5MHz	1mHz to 200kHz
9143	Pin Type Probe	DC to 5 MHz, 75Ω		✓	✓	✓						
9140	4-Terminal Probe	DC to 100 kHz, 75Ω		✓	✓	✓						
9261-10	Test Fixture	DC to 5MHz, 50Ω	✓					✓	✓	✓	✓	✓
9143-10	Pin Type Probe	DC to 5MHz, 50Ω	✓					✓	✓	✓	✓	✓
9140-10	4-Terminal Probe	DC to 200kHz, 50Ω	✓					✓	✓	✓	✓	✓
L2000	4-Terminal Probe	DC to 5MHz, 50Ω	✓					✓	✓	✓	✓	✓
9261	Test Fixture	DC to 5 MHz, 75Ω		✓	✓	✓						
9262	Test Fixture	DC to 5MHz	✓	✓	✓	✓		✓	✓	✓	✓	✓
9263	SMD Test Fixture	DC to 5MHz	✓	✓	✓	✓		✓	✓	✓	✓	✓
9677	SMD Test Fixture	DC to 120MHz	✓	✓	✓	✓	✓	✓	✓	✓	✓	✓
9699	SMD Test Fixture	DC to 120MHz	✓	✓	✓	✓	✓	✓	✓	✓	✓	✓
9268	DC Bias Voltage Unit	42Hz to 5MHz			✓*	✓*						
9268-01	DC Bias Voltage Unit	42Hz to 5MHz				✓*						
9268-10	DC Bias Voltage Unit	40Hz to 5MHz					✓*	✓*	✓*	✓*	✓*	✓*
9269	DC Bias Current Unit	42Hz to 100kHz			✓*	✓*						
9269-10	DC Bias Current Unit	40Hz to 2MHz					✓*	✓*	✓*	✓*	✓*	✓*
9500-10	4-Terminal Probe	DC to 200kHz, 50Ω	✓					✓	✓	✓	✓	✓

*External voltage or current power supply required

Note: Company names and Product names appearing in this catalog are trademarks or registered trademarks of various companies.



HIOKI E. E. CORPORATION

HEADQUARTERS:

81 Koizumi, Ueda, Nagano, 386-1192, Japan
TEL +81-268-28-0562 FAX +81-268-28-0568
http://www.hioki.com / E-mail: os-com@hioki.co.jp

HIOKI (Shanghai) SALES & TRADING CO., LTD.:
TEL +86-21-63910090 FAX +86-21-63910360
http://www.hioki.cn / E-mail: info@hioki.com.cn

DISTRIBUTED BY

HIOKI INDIA PRIVATE LIMITED:
TEL +91-124-6590210 FAX +91-124-6460113
E-mail: hioki@hioki.in

HIOKI SINGAPORE PTE. LTD.:
TEL +65-6634-7677 FAX +65-6634-7477
E-mail: info.sg@hioki.com.sg

Quality Hioki Products Online at:

www.GlobalTestSupply.com

sales@GlobalTestSupply.com